



General

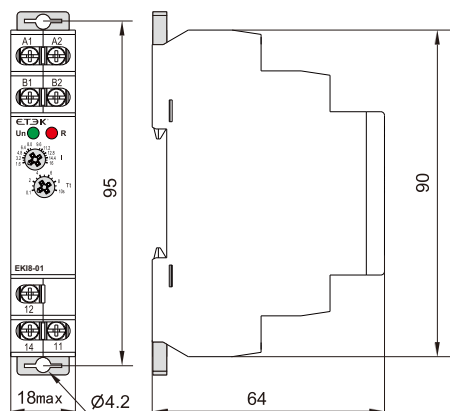
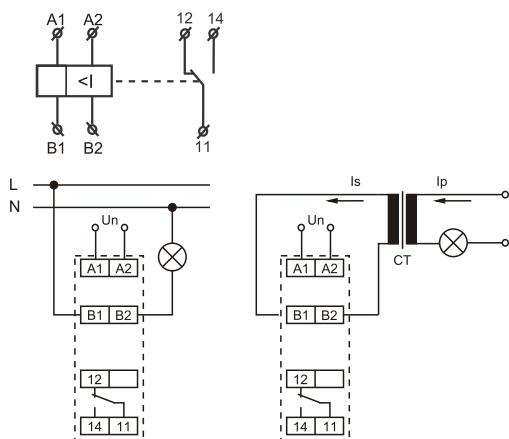
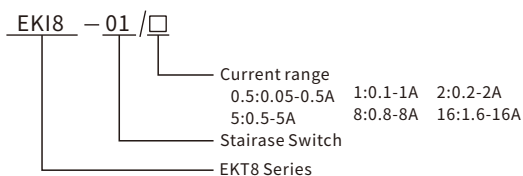
Applications

- Serves for monitoring of heating in rail-switches, heating cables, consumption of one-phase motors, indicates current flow.

Function Features

- Adjustable delay 0.5-10s to eliminate short current peaks.
- Flexible adjustment by potentiometer, choice of 6 ranges: AC0.05-0.5A; AC0.1-1A; AC0.2-2A; AC0.5-5A; AC0.8-8A; AC1.6-16A
- Possible to use for current scanning from current transformer.
- Universal supply AC24-240V and DC24V.
- Relay status is indicated by LED.
- 1-MODULE, DIN rail mounting.

Model and connotation



Technical parameters

Technical parameters	EKI8-01
Function	Monitoring current
Supply terminals	A1-A2
Rated supply voltage	AC 24V-240V or DC24V
Rated supply frequency	50/60Hz, 0
Burden	Max.1.5VA
Supply voltage tolerance	-15%; +10%
Current range	0.5A,1A,2A,5A,8A,16A
Current adjustment	Potentiometer
Time delay	Adjustable 0.1-10s
Supply indication	Green LED
Setting accuracy	10%
Repeat accuracy	<1%
Temperature dependancy	<0.1%/°C
Limit values tolerance	5% (10% for 0.05-0.5A range)
Hysteresis	5%
Temperature coeicient	0.05%/°C, at=20°C(0.05%/°F, at=68°F)
Output	1× SPDT
Current rating	10A/AC1
Switching voltage	250VAC/24VDC
Min.breaking capacity DC	500mW
Output indication	Red LED
Mechanical life	1×10 ⁷
Electrical life(AC1)	1×10 ⁵
Reset time	Max.200ms
Operating temperature	-20°C to +55°C (-4°F to 131°F)
Storage temperature	-35°C to +75°C (-22°F to 158°F)
Mounting/DIN rail	Din rail EN/IEC 60715
Protection degree	IP40 for front panel/IP20 terminals
Operating position	Any
Overtoltage cathegory	III.
Pollution degree	2
Max.cable size(mm ²)	Solid wire max.1×2.5 or 2×1.5/with sleeve max.1×2.5(AWG 12)
Dimensions	90×18×64mm
Weight	62g
Standards	IEC60255-1